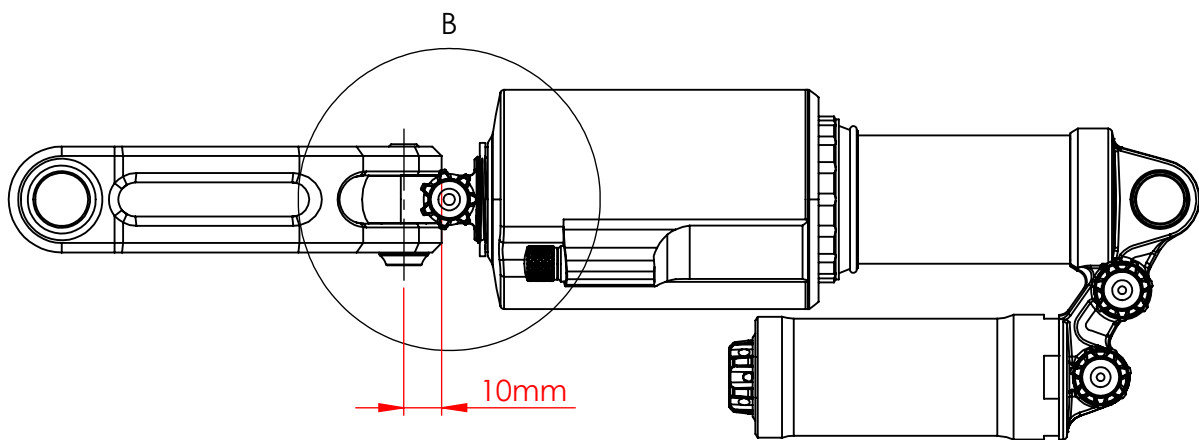
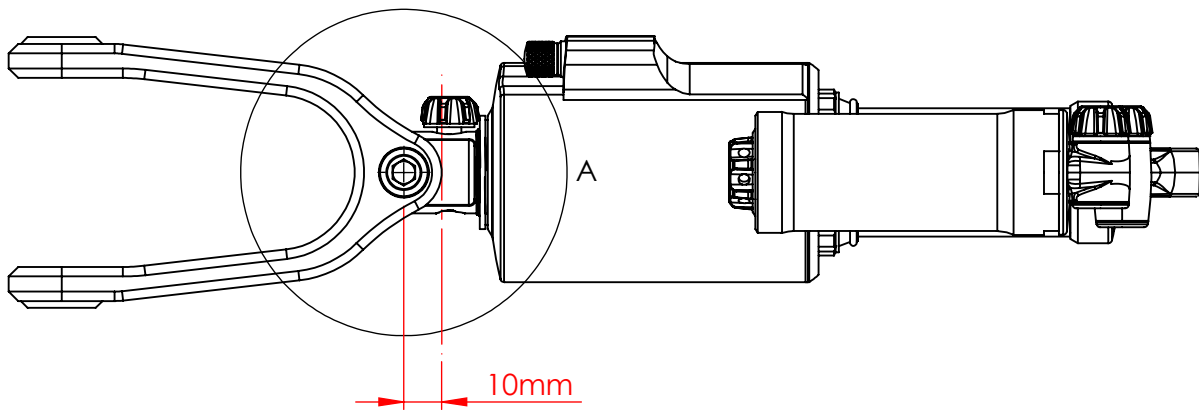
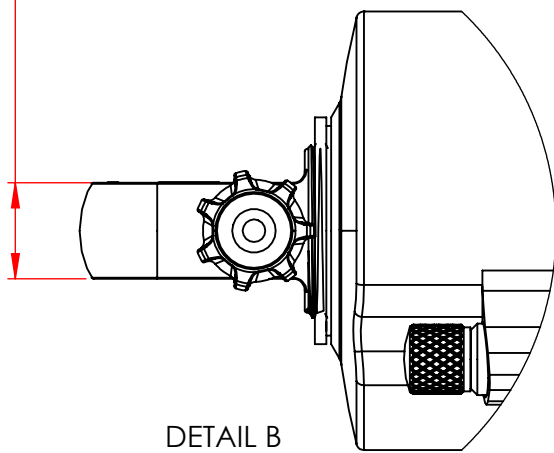


BikeYoke dimensions and shock eyelet requirements

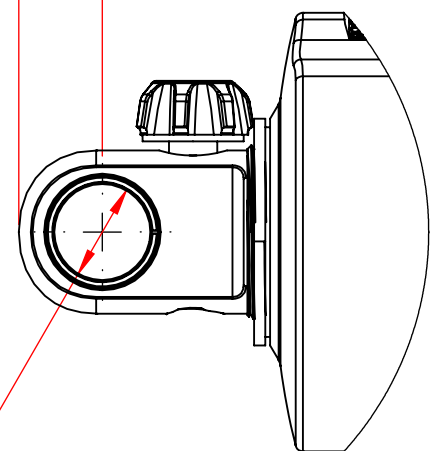


eyelet width max. 12,75mm



DETAIL B
SCALE 1 : 1

eyelet length max. 11mm



DETAIL A
SCALE 1 : 1

eyelet must use standard
 $\varnothing 12,70\text{mm}$ (1/2")
bushings